

Project Name	
Project #	
Model #	
Type	

SEN-053-PPU-300 Power Pack & Controller



OVERVIEW

The **SEN-053-PPU-300** is a full featured power pack and controller for low voltage lighting control system. It not only supplies 24VDC power for the operation of multiple low voltage occupancy sensors, but also provides line voltage load switching in response to signals from connected sensors or control devices. The unit can be attached to a junction box through a 1/2 inch knockout with the designed threaded nipple and locknut. It may also be mounted into fixture cable trays or located inside an adjacent junction box for specific local code requirements.

The **SEN-053-PPU-300** is an isolated class 2 switching mode power supply device for parallel sensor connection up to maximum 150mA capacity. With proper control circuitry, the load can be turned ON and OFF automatically based on inputs from connected occupancy sensor, control device or manual control button. Additional inputs allow connection with control from timer, BAS and/or manual switch for broader applications, such as hold ON or hold OFF control.

It can meet both automatic OFF and bi-level switching with manual ON control required by specific energy codes. Various control modes can be achieved with different wiring connections. Only basic wiring diagrams are illustrated. Consult with an IR-TEC team member if a more complex wiring diagram is required.

FEATURES

- Class 2 switching mode power supply
- Control up to 20A of load capacity
- 120/277VAC universal voltage power
- DC and relay status LED indications
- Zero crossing relay switching circuitry
- Low voltage DC over current protection
- BMS Hold ON & Hold OFF applications
- Manual ON and bi-level switch control
- Versatile energy efficient load control

APPLICATION

- Light Control
- HVAC Control
- Building Management

The **SEN-053-PPU-300** can be applied to control lighting circuits, motors, self-contained air conditioners, VAV systems, fans and motorized damper controls. By connecting low voltage occupancy sensors, momentary switches and PPU-300's, bi-level switching with manual ON operation can be achieved. Hold ON input is ideal for areas that require overriding the occupancy sensor to force the lighting ON during business hours.

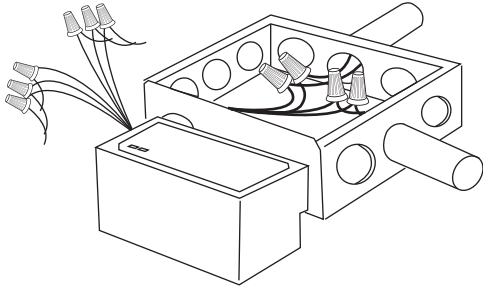
SPECIFICATIONS

Power Supply	120/277VAC, 50/60Hz
DC Output	24V, 150mA max.
Control Input	Control, Active Low
	Hold ON, Active Low
	Hold OFF, Active Low
	Manual, Active Low
Load Control	Ballast-20A, 120/277VAC
	Resistive-20A, 120/277VAC
	Motor-1 Hp, 120/240VAC
Humidity	95% RH max.
Temperature	-20°C~50°C (-4°F~122°F)
Dimensions	75x45x45mm (3"x1.8"x1.8")

SEN-053-PPU-300

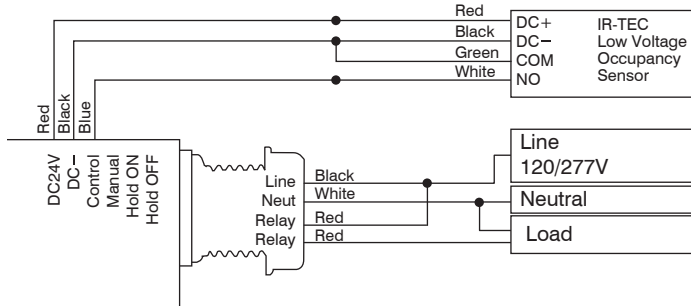
Power Pack & Controller

WIRING DIAGRAMS

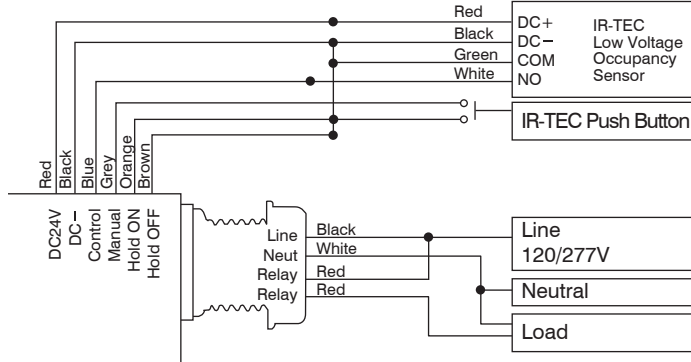


Line voltage wiring connection should be made inside of junction box.

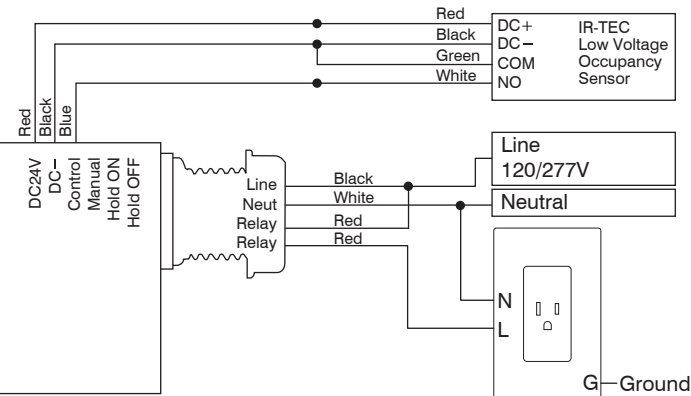
Typical Sensor Control ON/OFF



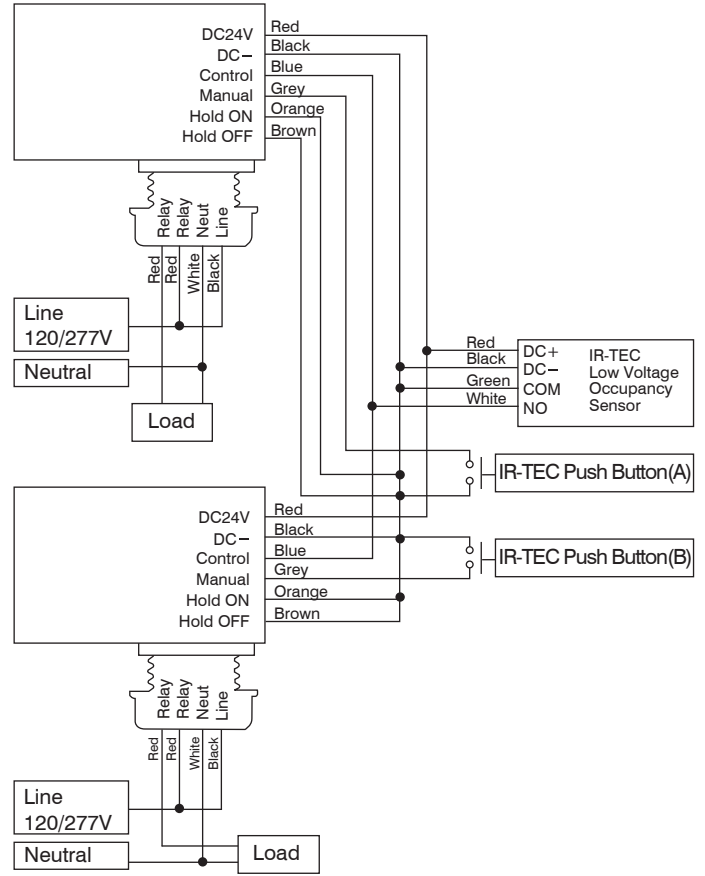
Manual ON, Sensor Control OFF



Sensor control ON/OFF, Receptacle Control



Manual ON with Bi-level Switching Control



Hold ON & Hold OFF Controls

